

# HOME DATA SHEET

## Home BC MMT



### Billi Home BC with Gooseneck Multifunction Mixer Tap

Instant boiling water or chilled water available any time of the day or night. The most popular model in the Billi Home range, the Billi Home BC is ideal for typical family use. The Home BC is space saving, energy efficient and elegant with a functional style designed for convenience and safety.

The Good Design Award Winning Multifunction Mixer tap complements the space saving and multifunctional approach of Billi's Home Range of products perfectly, negating the requirement for an additional domestic supply mixer tap while providing a sleek solution to dispensing filtered water. Supplied standard with 994052 sub-micron filtration from BWT to deliver the freshest tasting water and ensure the health of your family & guests.



Multifunction Mixer Tap

Home BC Under-Bench Unit



### Features



## PRODUCT SPECIFICATIONS

Water type	Product code	Model name	Dispenser	Power supply (amps)	Suggested usage
BOILING                      CHILLED                      FILTERED	915000G	Home BC	Multifunction Mixer Tap	10	<ul style="list-style-type: none"> <li>• Drinking water filtration</li> <li>• Cooking &amp; Food preparation</li> <li>• Instant Chilled beverages</li> <li>• Sterilisation of baby bottles</li> </ul>

\* Based on a set volume of water being drawn every 30 seconds at an inlet temperature of average 21°C. Each cup equivalent to 170ml. Usage patterns and draw-off methods can impact recovery.

### Accessories

**990720** - Tubing Extension Kit for X series dual temp dispensers 2mtrs

### Finishes

#### Standard Finishes

CH - Chrome	BR - Brushed
MB - Matte Black	MW - Matte White

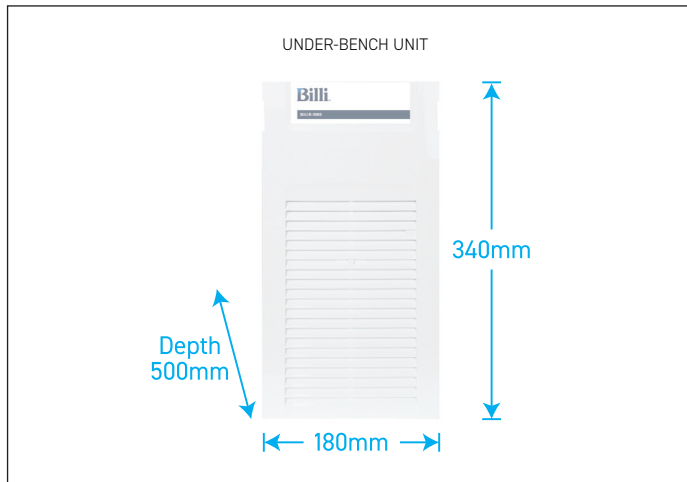
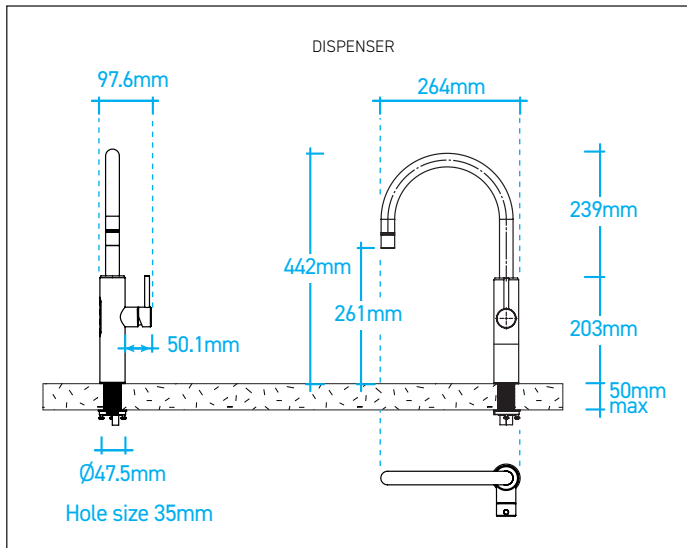
#### Special Order Finishes

RG - Rose Gold	BRG - Brushed Rose Gold
GM - Gun Metal Grey	UB - Urban Brass

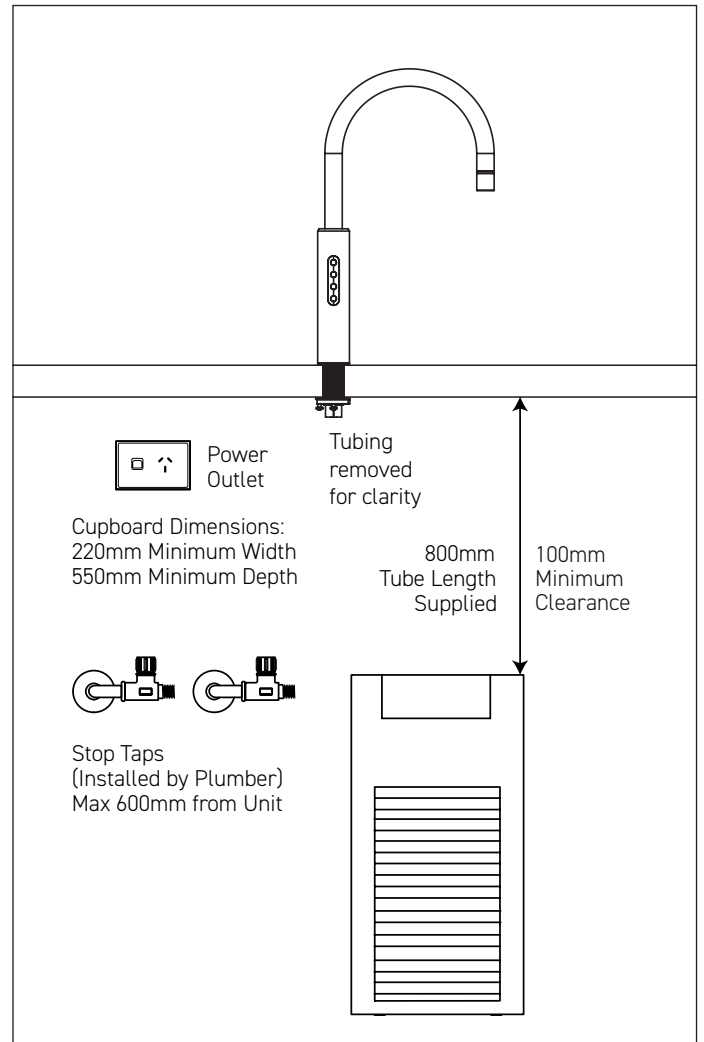
Add the relevant Finishes Code to the Product SKU to finalise your specification eg 915000GMB

# TECHNICAL DRAWING & INSTALLATION REQUIREMENTS

## PRODUCT DIMENSIONS



## PREFERRED INSTALLATION LAYOUT



### WATER SUPPLY

Domestic Cold and Hot mains supply is required via separate 1/2" BSP (15mm) stop-taps with male threads. These should be pre-installed in an easily accessible position. Water supply must be microbiologically safe to drink, with a minimum dynamic water pressure of 250kPa and a maximum of 1000kPa.

### POWER SUPPLY

A standard 10 amp power outlet is required, no further than 1000mm from the underbench unit. The system is supplied with a 1 metre flex cord and plug.

### WARRANTY

The Billi Home Range is covered by a comprehensive 2 year warranty on all parts and labour.

### FILTRATION

Billi's range of premium filters utilise BWT's unique Fibron X technology. Billi's filter range provides superior taste, water quality, consistent filter life and peace of mind when it comes to hygiene. Filter supplied: 994052 (0.2 micron). Replacement filters available: 994051 (5 micron option), 994054 (HSD option), 994056 (Sediment only) and 994060 (0.2 micron Sediment Only).

### CERTIFICATIONS

Every Billi drinking water appliance is manufactured under a certified quality control system. All Billi commercial range models have been tested and comply with all required standards including: WaterMark: WM-021525; Certified to AS/NZ3498 and AS/NZ 4020; ISO 9001:2015, QEC 11627; WELL Cornerstone Member; HACCP: PE-872-WAT-1-02; WELS 5 Star Rating: WM-021914.

# Billi®

Billi Australia Pty Ltd

P 1800 812 321  
W www.billi.com.au

Billi New Zealand Ltd

P 0800 636 0 636  
W www.billi.co.nz

visit us at

