



Installation guide
Alpine 125
Tap options XL, XT, XR
(932125)
REV04



Installation requirements XL, XT, XR.

Components for Alpine 125

Before commencing installation, ensure you have identified the following.

1. Underbench module
2. Dispenser upper with tubing
3. Dispenser base & mount
4. Barb locking bush
5. 4mm chrome screw & allen key
6. Large washer
7. Tube spring clamps x 3
8. 600mm flexible braided hose
9. Filter Cartridge (installed)
10. Included in the box;
 - b. User guide
 - c. Warranty Registration Card
11. Ensure a Stop Tap is installed 450mm from the Billi unit water supply inlet (Stop Tap not supplied)
12. Drain connection kit

Determine Unit Location

Plan the installation. Dispenser tube lengths, position of power and water outlets, required air space around the underbench module and access for service must be considered before cutting tube lengths. Refer to Diagrams 1, and 2 for clearances around the dispenser and unit. Unit must be installed horizontally with plastic vent panel facing to front of cupboard. The Alpine 125 is designed for internal installation only.

Water Supply

The Alpine 125 must only be connected to a cold water supply. A 15mm stop tap (not supplied) is to be installed in an easily accessible position within 450mm from the Alpine water supply inlet.

Pressure Limiting Valve

This appliance incorporates pressure limiting valve with internal dual check valve for back flow prevention. Do not fit additional pressure limiting valve.

Supply Pressure: 200 – 1000 Kpa

Supply Temperature: 5°C – 30°C

Do not install with water that is microbiologically unsafe or with water of unknown quality without adequate disinfection before or after the system. Systems certified for cyst reduction may be used on disinfected water that may contain filterable cysts.

Power Requirements

A single 10 amp standard power outlet is required.

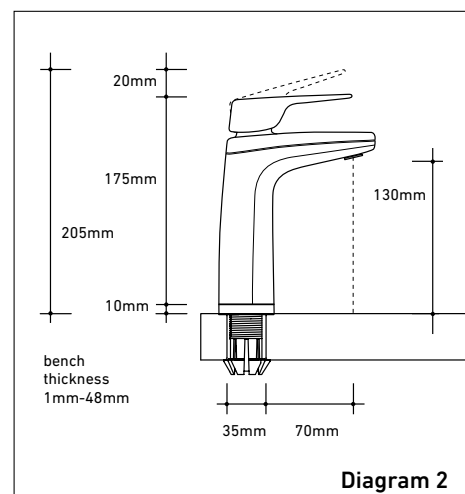
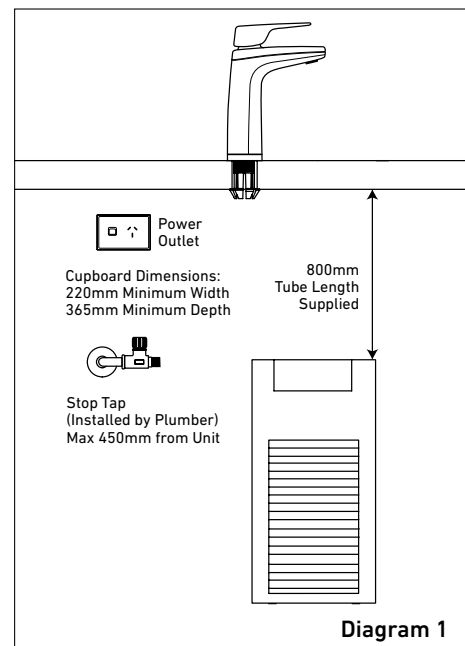
Alpine 125 module is supplied with 1 metre of flex cord and plug.

Drainage

A drainage point, such as a dishwasher nipple is required. If unavailable, use the drain clamp connection which is provided with the installation kit. Drain connection size to be between 40mm - 50mm and connection point to be with 1m of unit

IMPORTANT:

This Billi appliance is to be installed by a licensed trades person in accordance with AS/NZS 3500.1 and AS/NZ 3500.2 and in compliance with applicable state regulatory requirements. For correct operation of this appliance, it is essential to observe the manufacturer's instructions.



Installing the dispenser XL, XT, XR.

IMPORTANT: This Billi appliance is to be installed by a licensed trades person in accordance with AS/NZS 3500.1 and AS/NZS 3500.2 and in compliance with applicable state regulatory requirements. For correct operation of this appliance, it is essential to observe the manufacturer's instructions.

1. Install Dispenser Assembly

Determine position of dispenser mounting hole in sinktop or benchtop. Dispenser base template (Diagram 4) may be cut out and used to assist in correct positioning. Refer to Diagram 2 for clearances allowed. Hole size required is $\varnothing 32\text{mm}$.

—Stainless Steel Sinktop

A suitable 32mm hole punch (Part no: 857901) is available as an accessory from Billi Australia Pty Ltd. If possible, cut hole with die mounted below the sinktop surface so that burr is pulled downwards. Alternatively, remove burr and radius edge of hole with fine file. This allows barbed dispenser mount to slide smoothly into mounting hole.

—Timber/Laminate Benchtop

Maximum benchtop thickness is 50mm. Cut 32mm hole in appropriate position*. When drilling through a particle board bench top, take care to avoid a large chip breaking away as drill breaks through underside surface. We recommend drilling a small pilot hole through benchtop, partially drilling the 32mm hole from underneath and then completing drilling the hole from above. The large 30mm washer supplied may be used to secure barb where underside particle board bench top has chipped away.

* For stone or granite bench tops you will require a certified stone mason to pre-drill the hole.

2. Activate Dispenser Swivel Feature

To activate the swivel feature of your dispenser, you will need to remove the locking piece from the dispenser base. Simply push out the piece as show in Diagram 5. This will allow the tap to move 45 degrees to the left and right.

3. Fit Dispenser Base

*Make sure you have activated the dispenser swivel feature prior before proceeding

- Cut a 32mm hole in sinktop or benchtop. Remove burr if protruding upwards.
- Push barbed mounting shaft through mount hole.
- Insert barb locking bush as shown in Diagram 6. Finger tighten nut.
- Ensure barb is centred in mount hole before tightening. Check position of base ring and gasket.
- Moderately tighten locking nut using multigrips or spanner. Take care to avoid overtightening nut which may break the plastic threaded shaft.

- Place large D washer over thread as shown in Diagram 6.
- Cut off excess threaded shaft with a hacksaw, using washer as a cutting guide. (Diagram 6)

IMPORTANT: Remove burrs and check internal bore is completely smooth.

4. Fit Dispenser Head Assembly

- Feed dispenser tubing and loom through centre hole in the following order:
 - Dispenser power cord.
 - Grey vent silicone tube. Feed tube until reducing join passes through mount assembly – see Diagram 8.
 - Red and blue silicone tubing. Do not attempt to force tubing through with a pointed object as silicone tube is easily punctured, gently pull hoses from under bench top to avoid kinking or twisting. Check tubing is not kinked or twisted.
- Turn dispenser head assembly to approximately 60° from the straight ahead position of dispenser base. Slide head assembly onto base assembly whilst gently pulling tubing downwards from underneath to prevent tubing bunching and kinking. Mounting lugs will pass nut and slide down the 3 grooves on the swivel bearing.
- Once fully down, turn dispenser to straight ahead position. Check dispenser now swivels smoothly 45° in each direction.

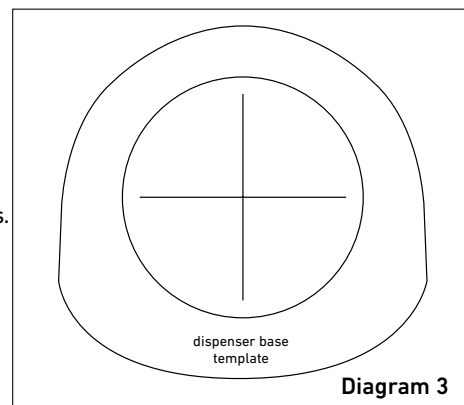


Diagram 3

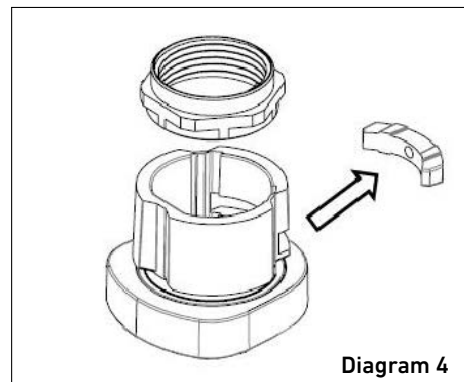


Diagram 4

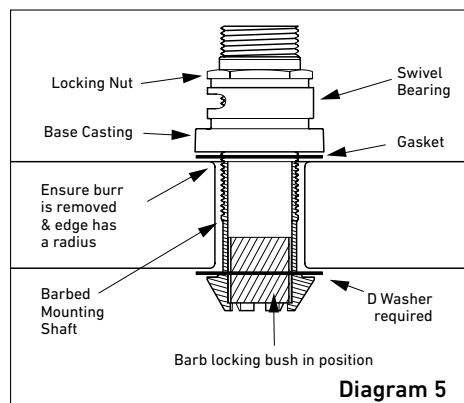


Diagram 5

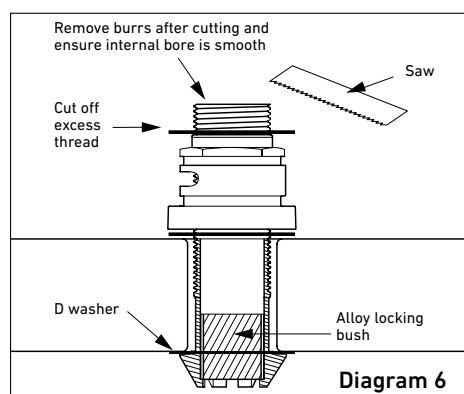


Diagram 6

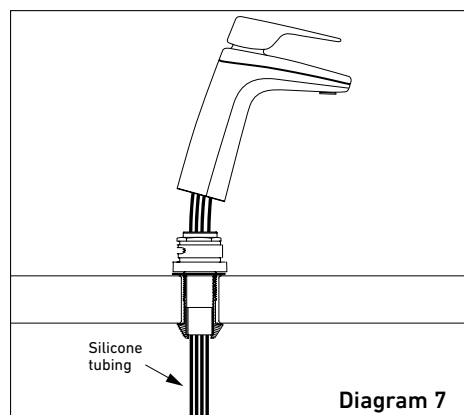


Diagram 7

Additional installation – XR. Flush mount remote panel.

Determine Remote Panel Location

Dimensions and layout are shown in diagram 1. Panel can be installed on a wall, benchtop or even inside a cupboard

Minimum cut out dimensions are 121mm height x 70mm width. Minimum depth must be 20mm.

Cut out cavity into the plaster wall.

Ensure the cable is pre-installed into the flush mount bracket before plastering.

Place the flush bracket into the plaster wall with the cable gap facing towards the ground.

Installing the Remote Panel

Cable must be protruding out of the bottom of bracket – see diagram 1.

Tape up the cable terminals before plastering process – see diagram 2.

Plaster and Paint

Start plastering as required.

Wait for the plaster to dry before cleaning the bracket.

Use a light sandpaper to give smooth finish on the drywall.

Then paint as required.

Completing Installation

Take the tape off the cable connector and plug it into the panel – see diagram 3

The panel and bracket are magnetic. Upon install, the magnets will pull together and secure the module into place in place – see diagram 3.

Installation is finished – see diagram 4.

Magnetic remover tool will be required again.
Do not throw away.

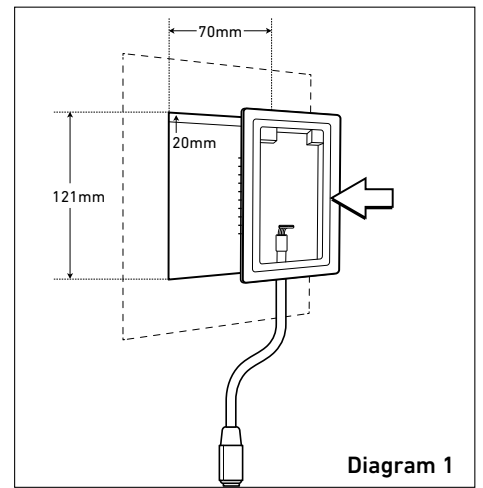


Diagram 1

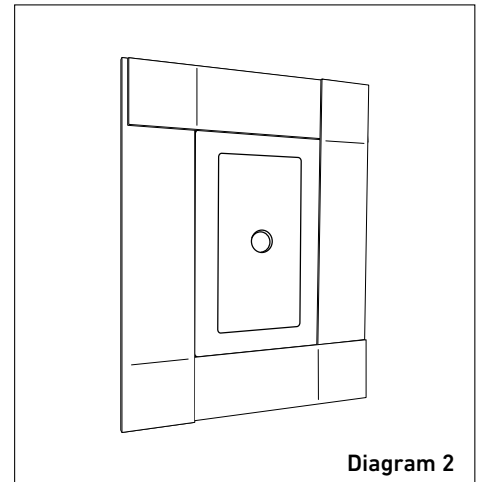


Diagram 2

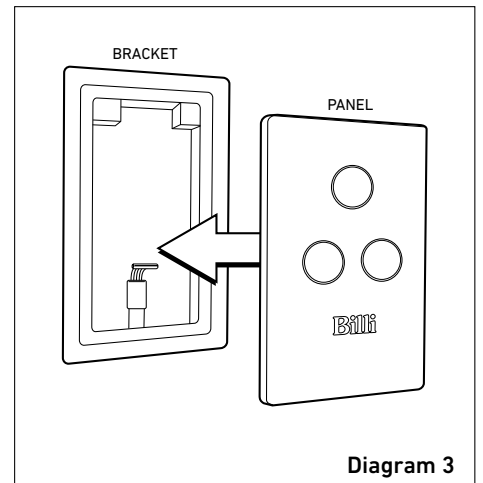


Diagram 3

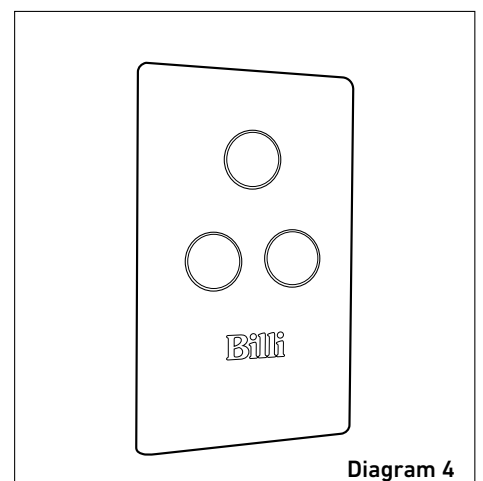
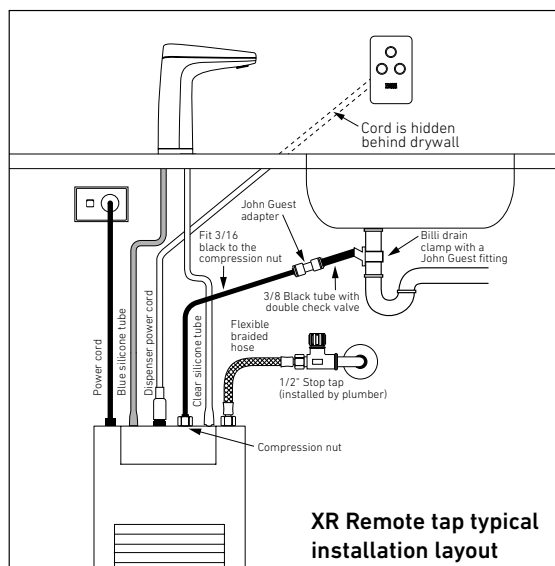


Diagram 4



XR Remote tap typical installation layout

Additional installation – XR. Proud mount remote panel.

Determine Remote Panel Location

Cut out cable access hole in the desired location.

Hole size must be Width 25mm x Height 45mm – see diagram 1.

Drill a pilot hole using bracket as a template.
The template could also be used as a guide to cut into the plaster.

Install Mount Bracket

Fasten the mount bracket on to the wall using phillipshead screwdriver (ensure the spring clips are facing up) – see diagram 2.

Install Cabling

Feed the cable through pre cut hole.

Screw and fasten the cable strain bracket to the back of remote tap module.

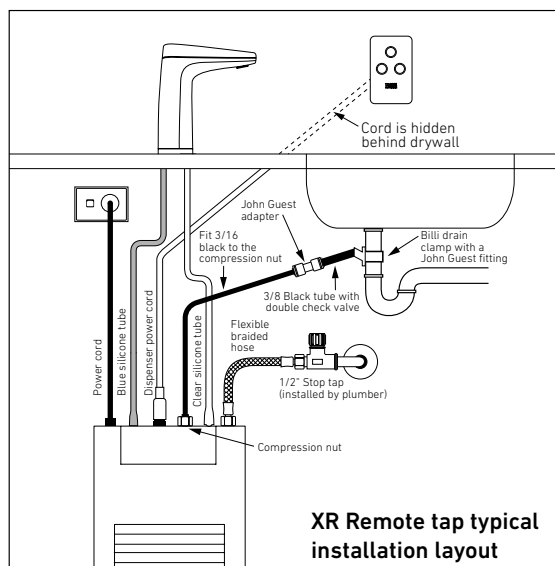
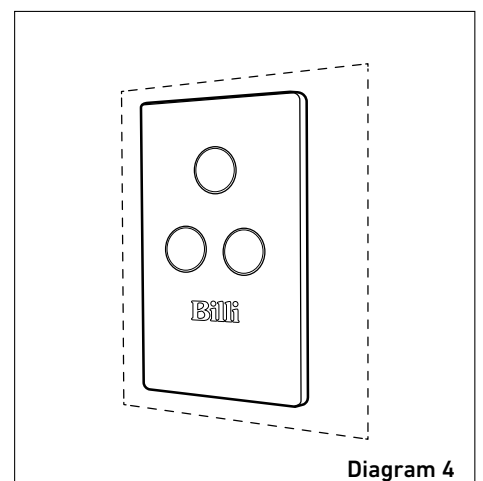
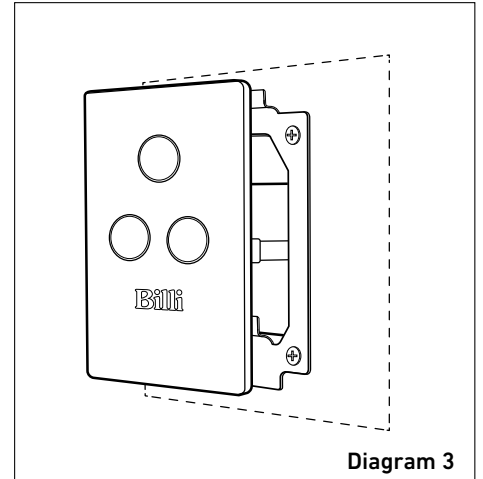
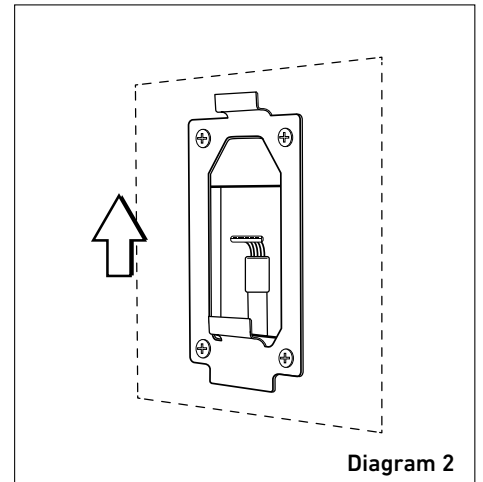
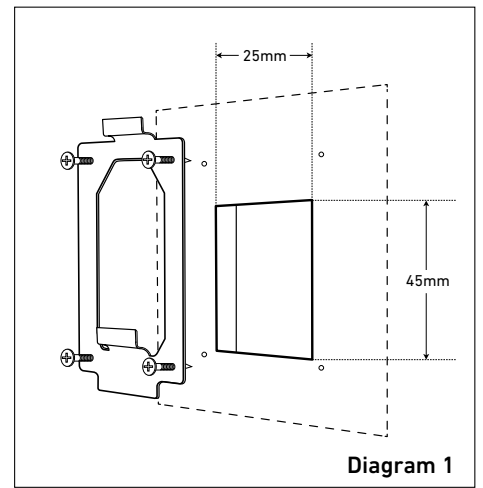
Secure the tap module by sliding it onto the previously installed bracket – see diagram 3.

Completing Installation

Ensure panel is secured.

Clean up any excess plaster.

Installation is finished – see diagram 4.



Installing underbench module. XL, XT, XR.

REMOVE THE FILTER PACKING FROM UNDER THE FILTER CANISTER

1. Flush Water Supply

Flush water supply pipework before installing the underbench unit by connecting 450mm flexible braided hose to the supply tap and running water into a bucket.

2. Connect Dispenser to Unit

Connect all tubing and electrical plug as shown in diagram 8. Ensure correct orientation of dispenser power plug before insertion. Trim tubes to correct lengths using a sharp knife or plastic tube cutter. Avoid leaving excess tubing which will sag, trapping water.

4. Commission the System

- Remove front panel of unit and remove **packing foam from under filter canister**. Ensure filter canister is securely locked back into place. Replace front panel.
- Turn electricity supply ON at wall outlet.
- Turn water supply tap ON.
- Lift chilled (left) water lever and allow cold tank to fill. Run water for at least 2 more minutes after cold water tank fills and water flows from outlet.
- Release lever and check that there are no leaks.

5. Set Chilled Water Temperature

Remove the front panel and set the desired water temperature using the temperature control knob. Refer to *Billi Alpine User Guide*.

**Re-check Connections for Leaks.
Explain Operation to User**

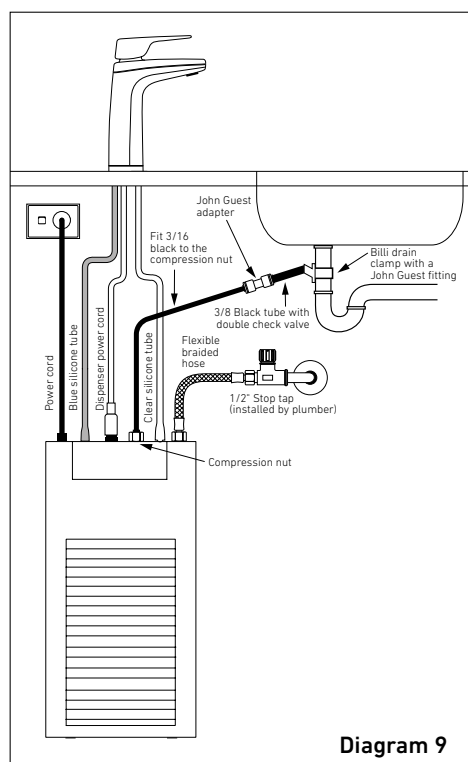


Diagram 9

INSTALLATION AND COMMISSIONING CHECKLIST

- Filter packing foam removed from under filter canister.
- Dispenser mounted securely
- Dispenser swivels 45° in each direction – M4 chrome retaining screw fitted.
- Tubing is cut to correct lengths and not kinked or sagging. Red, grey and 10mm black tubes have a continual fall.
- Tubing not twisted or kinked.
- Tubing secured correctly – nuts and spring clips.
- Unit connected to COLD water supply.
- Correct air clearances around unit.
- Power circuit fitted with an RCD – earth leakage protection device.
- Sawdust cleaned out of cupboard area.
- Unit cooling (after initial fill). Blue dispenser icons flashing (or on continually when reached temperature).
- Chilled water flow correct.



Scan the QR Code to access the Support page and Shop online.

WARNINGS.

For continued safety of this appliance it must be installed, operated and maintained in accordance with the manufacturer's instructions.

- Your appliance should be installed by a suitably qualified tradesperson.
- For correct operation of this appliance it is essential to observe the instructions as outlined in this booklet.
- Do not use this appliance with water that is microbiologically unsafe or with water of unknown quality without adequate disinfection before or after the system. Systems certified for cyst reduction may be used on disinfected water that may contain filterable cysts.
- Filter replacement must be performed at intervals of not more than 12 months.
- Use this appliance only as directed in these instructions and only for its designed purpose.
- This appliance is not intended for use by persons (including children) with reduced physical, sensory or mental capabilities, or lack of experience and knowledge, unless they have been given supervision or instruction concerning use of the appliance by a person responsible for their safety.
- Children should be supervised to ensure that they do not play with the appliance.
- DANGER: The operation of the thermal cut-out indicates a possibly dangerous situation. Do not reset the thermal cut-out until the water heater has been serviced by a qualified person.
- WARNING: Do not connect any restrictor or pressure relief device to the vent pipe of this water heater if installed.
- If the supply cord is damaged, it must be replaced by the manufacturer, its service agent or similarly qualified persons in order to avoid a hazard.
- New hose-sets supplied with the appliance are to be used and old hose-sets should not be re-used.

If any problems or difficulties arise contact **Billi Australia Pty Ltd**: Phone 1800 812 321 (Free call). To validate your warranty online at www.billi.com.au
For information on our filtration and service contracts please contact Billi Customer Service on 1800 812 321 or service@billi.com.au.

Billi Australia Pty Ltd
42 Lucknow Crescent, Thomastown
Victoria 3074 Australia
Telephone 1800 812 321
www.billi.com.au

Designed and manufactured in Australia.
As Billi Australia Pty Ltd has a policy of continual improvement, all details are subject to change without notice. All goods are sold subject to our published terms and conditions. Billi is a registered trademark. 04-0522 613211 Rev04