

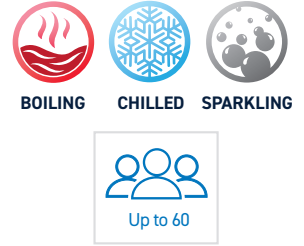
# COMMERCIAL DATA SHEET

## OmniOne Pro60 XL



### Billi OmniOne Pro60 with XL Levered Dispenser

The OmniOne Pro60 is the latest iteration of multifunction filtered drinking water appliances from Billi. The intersection of genuine innovation and sustainable design, OmniOne integrates Billi's renowned water-cooling and energy reclaim technologies into a single space-saving under bench control module. With a 30% uplift in performance, whisper quiet in operation, ergonomic and acutely focused on the wellness & hygiene of its users, the OmniOne Pro60 range is the ultimate inclusion to the modern workplace or facility. Specified with the XL dispenser, all three types of water are safely dispensed from a single DDA compliant fixture with position sensitive levers.



XL Levered Dispenser



OmniOne Pro60 Under-Bench Unit



### Features



## PRODUCT SPECIFICATIONS

Water type	Product code	Model name	Dispenser	Suggested no. of people	Boiling water delivery (cups per hour)*	Chilled & Sparkling water delivery (cups per hour)	Power supply (amps)
BOILING CHILLED SPARKLING	926060L	OmniOne Pro60	XL Levered	Up to 60	180	220	1 x 10

\* Based on the initial number of cups of boiling water immediately available, drawn one cup every 10 seconds. For all underbench filtered water systems, consideration may be needed for usage patterns and draw-off methods. 1 cup = 170ml

### Accessories

**992800** - 70mm Riser & Font



**992820** - 70mm Riser



**992803** - 120mm Riser & Font



**992830** - 120mm Riser



**990726** - Tubing Extension Kit for Sparkling unit - 2mtrs

### Finishes

#### Standard Finishes

CH - Chrome	BR - Brushed
MB - Matte Black	MW - Matte White

#### Special Order Finishes

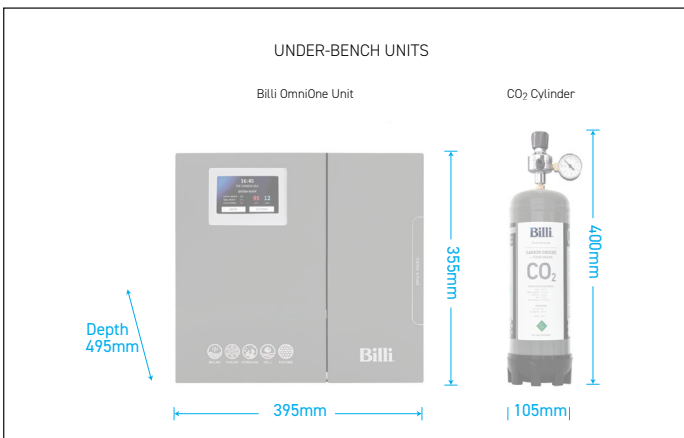
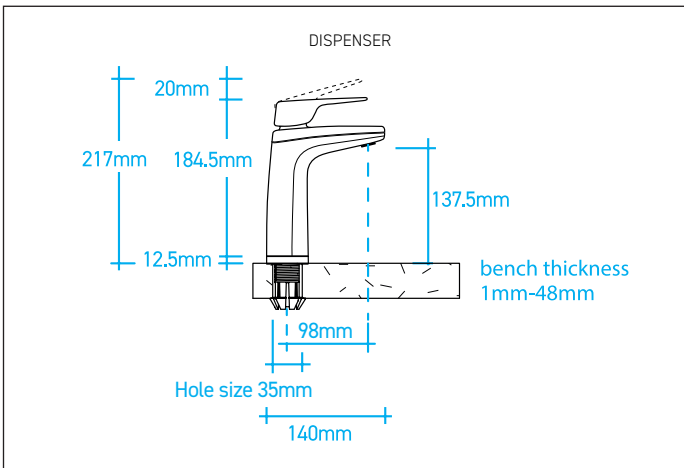
RG - Rose Gold	BRG - Brushed Rose Gold	GM - Gun Metal Grey
PL - Platinum	UB - Urban Brass	

Add the Finish code to the Product Code to finalise your specification, eg. 926060LMB

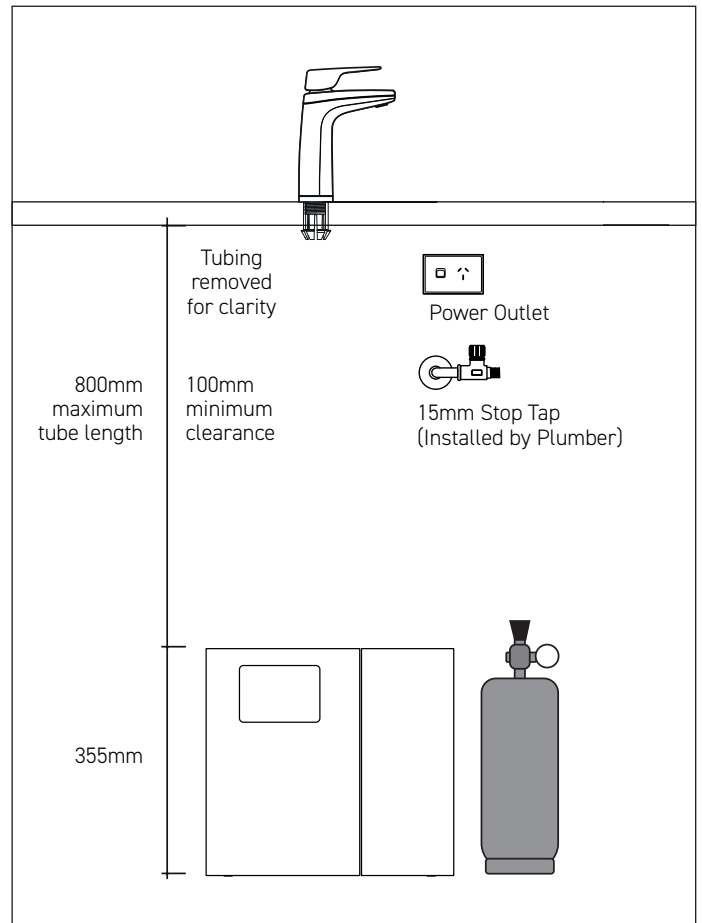
^Certification pending completion

# TECHNICAL DRAWING & INSTALLATION REQUIREMENTS

## PRODUCT DIMENSIONS



## PREFERRED INSTALLATION LAYOUT



### WATER SUPPLY

A single 1/2" BSP (15mm) stop-tap with a male thread should be installed in an easily accessible position. Water supply must be microbiologically safe to drink, with a minimum dynamic water pressure of 250kPa and a maximum of 1000kPa.

### POWER SUPPLY

A single standard 10 amp power outlets are required, no further than 1000mm from the underbench unit. The system is supplied with a 1 metre flex cord and plug.

### FILTRATION

Billi's range of premium filters utilise BWT's unique Fibron X technology. Billi's filter range provides superior taste, water quality, consistent filter life and peace of mind when it comes to hygiene.

Filter supplied: 994051 (5 micron). Replacement filters available: 994052 (0.2 micron), 994054 (HSD), 994055 (XPHSD), 994056 (Sediment only) and 994060 (0.2 micron sediment only).

### CERTIFICATIONS

Every Billi drinking water appliance is manufactured under a certified quality control system. All Billi commercial range models have been tested and comply with all required standards including: Watermark: WM 021525; Tested to ATS5200.105 and AS/NZ 4020; ISO 9001:2015, QEC 11627; AS1428; WELL Cornerstone Member.

### CO2 Cylinder

The CO2 gas cylinder supplied must be secured in a suitable location. Each cylinder contains 1100g of CO2 and should be installed in a well ventilated area. Each cylinder will provide between 200-350L of sparkling water depending on the unit settings. The MSDS is available on [www.billi.com.au](http://www.billi.com.au) for a complete list of specifications and warnings. Replacement gas cylinders are available from Billi. CO2 Cylinder - single 996911 or double 996912 and refillable options.

### WARRANTY

The Billi OmniOne Range is covered by a comprehensive 3 year warranty on all parts and labour.

# Billi®



Billi Australia Pty Ltd  
42 Lucknow Crescent,  
Thomastown, Victoria  
3074 Australia

P 1800 812 321  
F +61 3 9469 0499  
W [www.billi.com.au](http://www.billi.com.au)

visit us at



Designed and manufactured in Australia to the highest quality standards