

COMMERCIAL DATA SHEET

Quadra 4100 XT

Billi™

Billi Quadra 4100 with XT Touch Dispenser

The Quadra 4100 Boiling and Chilled drinking water system is a water cooled, high capacity, very large population commercial drinking water solution that maintains the core Billi design principles and requires no joinery ventilation.

The drawback for the entire Quadra range is the use of innovative energy reclaim technology which enables space savings, energy efficiency and completely eliminates exhaust heat transfer.

All Quadra boiling and chilled products are Global GreenTag certified to a Gold standard.

The XT touch dispenser is an innovative, contemporary design, which has a touch sensitive panel offering a sophisticated and clean style.



XT Touch Dispenser

Quadra Under-Bench Unit



Features

- SPACE SAVING DESIGN
- SAFE TO OPERATE
- ENERGY EFFICIENT
- HEAT EXCHANGE TECHNOLOGY
- WATER COOLED TECHNOLOGY
- NO CUPBOARD VENTILATION REQUIRED
- AUSTRALIAN DESIGNED & MADE
- GREENTAG CERTIFIED
- EASY INSTALLATION
- PLUS MODEL AVAILABLE

PRODUCT SPECIFICATIONS

| Water type | Product code | Model name | Dispenser | Suggested no. of people | Boiling water delivery (cups per hour)* | Chilled water delivery (cups per hour) | Power supply (amps) |
|---------------------|--------------|-------------|-----------|-------------------------|---|--|---------------------|
| BOILING CHILLED | 904100T | Quadra 4100 | XT Touch | Up to 100 | 250 | 175 | 15 |

* Based on the initial number of cups of boiling water immediately available, drawn one cup every 10 seconds. For all underbench filtered water systems, consideration may be needed for usage patterns and draw-off methods. 1 cup = 170ml

Accessories

992800 - 70mm Riser & Font

992820 - 70mm Riser

992803 - 120mm Riser & Font

992830 - 120mm Riser



990720 - Tubing Extension Kit for X series dual temp dispensers 2mtrs

Finishes

Standard Finishes

CH - Chrome

BR - Brushed

MB - Matte Black

MW - Matte White

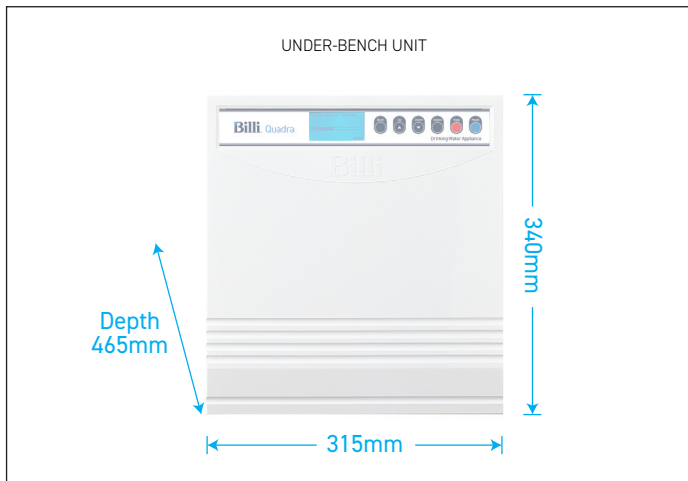
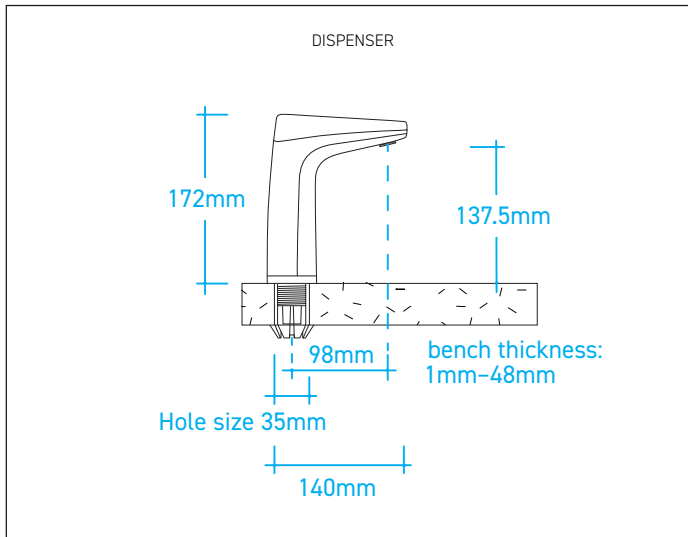
Special Order Finish

RG - Rose Gold

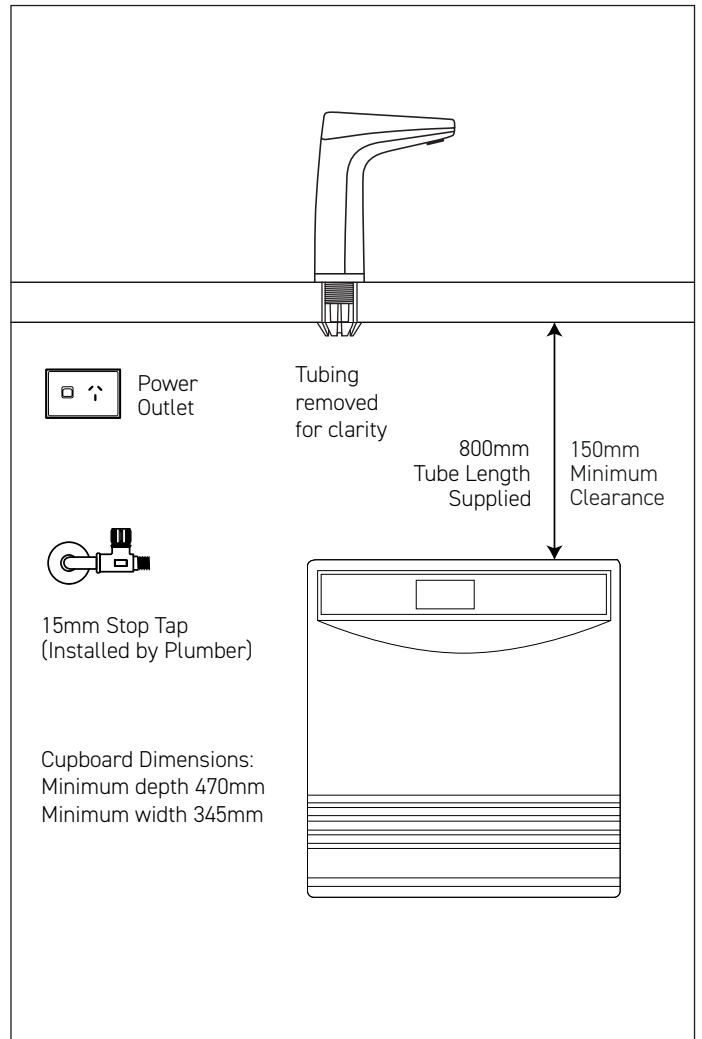
Add the Finish code to the Product Code to finalise your specification, eg. 904100TCH

TECHNICAL DRAWING & INSTALLATION REQUIREMENTS

PRODUCT DIMENSIONS



PREFERRED INSTALLATION LAYOUT



WATER SUPPLY

A single 1/2" BSP (15mm) stop-tap with a male thread should be installed in an easily accessible position. Water supply must be microbiologically safe to drink, with a minimum dynamic water pressure of 250kPa and a maximum of 1000kPa.

POWER SUPPLY

A standard 15 amp power outlet is required, no further than 1000mm from the underbench unit. The system is supplied with a 1 metre flex cord and plug.

FILTRATION

Billi's range of premium filters utilise BWT's unique Fibron X technology. Billi's filter range provides superior taste, water quality, consistent filter life and peace of mind when it comes to hygiene.

Filter supplied: 994051 (5 micron). Replacement filters available: 994052 (0.2 micron), 994054 (HSD), 994055 (XPHSD), 994056 (Sediment only) and 994060 (0.2 micron sediment only).

CERTIFICATIONS

Every Billi drinking water appliance is manufactured under a certified quality control system. All Billi commercial range models have been tested and comply with all required standards including: WaterMark: WM-021525; Certified to AS/NZ3498 and AS/NZ 4020; ISO9001:2015, QEC 11627; Section J6.6 of the BCA; Global GreenTag LCARate Gold; HACCP: PE-872-WAT-1-02; WELL Cornestone Member.

WARRANTY

The Billi Quadra Range is covered by a comprehensive 2 year warranty on all parts and labour.

Billi™

Billi Australia Pty Ltd
42 Lucknow Crescent,
Thomastown, Victoria
3074 Australia

P 1800 812 321
F +61 3 9469 0499
W www.billi.com.au

visit us at



Designed and manufactured in Australia to the highest quality standards