

# COMMERCIAL DATA SHEET

## Filter Tap Round Slimline



### Billi Still Filter Tap with Round Slimline Dispenser

Instant filtered water on tap. The Still Filter Tap is an entry level solution allowing users the convenience of filtered still drinking water along with elegant functional design.



STILL FILTERED



Round Slimline Dispenser

Underbench Filter Housing



### Features



UNLIMITED FILTERED WATER



SPACE SAVING DESIGN



RANGE OF FINISHES



AUSTRALIAN DESIGNED & MADE



EASY INSTALLATION

## PRODUCT SPECIFICATIONS

| Water type | Product code | Model name | Dispenser      | Suggested no. of people | Still water delivery (cups per hour) |
|------------|--------------|------------|----------------|-------------------------|--------------------------------------|
|            | 932210R      | Filter Tap | Round Slimline | unlimited               | unlimited                            |

### Accessories

**992810** - Slimline Font

**990724** - Tubing Extension Kit for Slimline 2mtrs



### Finishes

Standard Finishes

|                  |                  |
|------------------|------------------|
| CH - Chrome      | BR - Brushed     |
| MB - Matte Black | MW - Matte White |

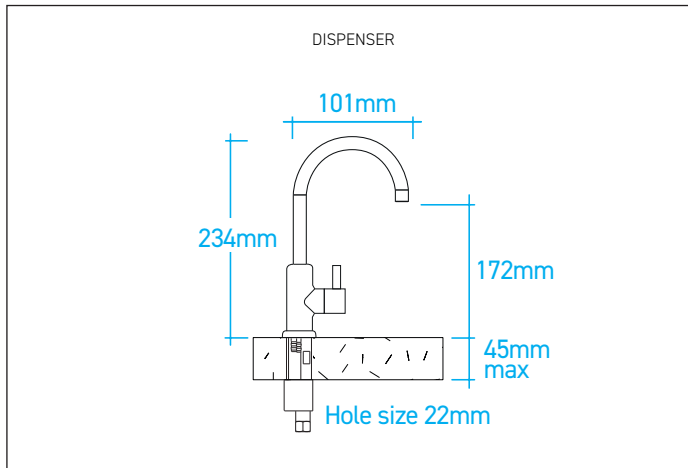
Special Order Finishes

|                |                         |                     |
|----------------|-------------------------|---------------------|
| RG - Rose Gold | BRG - Brushed Rose Gold | GM - Gun Metal Grey |
| PL - Platinum  | UB - Urban Brass        |                     |

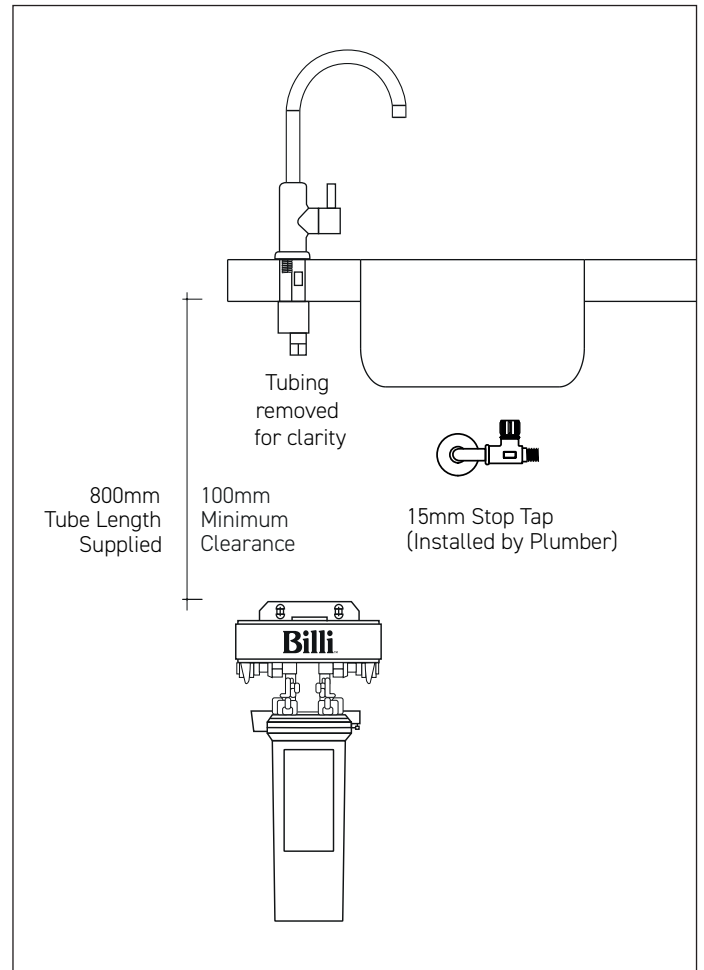
Add the Finish code to the Product Code to finalise your specification, eg. 932200RMB

# TECHNICAL DRAWING & INSTALLATION REQUIREMENTS

## PRODUCT DIMENSIONS



## PREFERRED INSTALLATION LAYOUT



### WATER SUPPLY

A single 1/2" BSP (15mm) stop-tap with a male thread should be installed in an easily accessible position. Water supply must be microbiologically safe to drink, with a minimum dynamic water pressure of 250kPa and a maximum of 1000kPa.

### FILTRATION

Billi's range of premium filters utilise BWT's unique Fibron X technology. Billi's filter range provides superior taste, water quality, consistent filter life and peace of mind when it comes to hygiene.

Filter supplied: 994051 (5 micron). Replacement filters available: 994052 (0.2 micron), 994054 (HSD), 994055 (XPHSD), 994056 (Sediment only) and 994060 (0.2 micron sediment only).

### CERTIFICATIONS

Every Billi drinking water appliance is manufactured under a certified quality control system. All Billi commercial range models have been tested and comply with all required standards including: Watermark: WM-021882; Certified to AS/NZ3498 and AS/NZ 4020; ISO9001:2015, QEC 11627; WELL Cornerstone Member; WELS 6 star rating registration T29342.

### WARRANTY

The Billi Filter Tap Range is covered by a comprehensive 2 year warranty on all parts and labour.

# Billi™

Billi Australia Pty Ltd  
42 Lucknow Crescent,  
Thomastown, Victoria  
3074 Australia

P 1800 812 321  
F +61 3 9469 0499  
W www.billi.com.au

visit us at



Designed and manufactured in Australia to the highest quality standards